

TECHNICAL SHEET

GENERAL

The fixed pool lift F145B is suitable for skimmer pools or ground floor deck. Can also be used for boats, ports, docks, etc, this pool lift can be fixed to the floor in 3 different ways and it is easy to remove from the edge of the outdoor pools during the winter period.



TECHNICAL SHEET

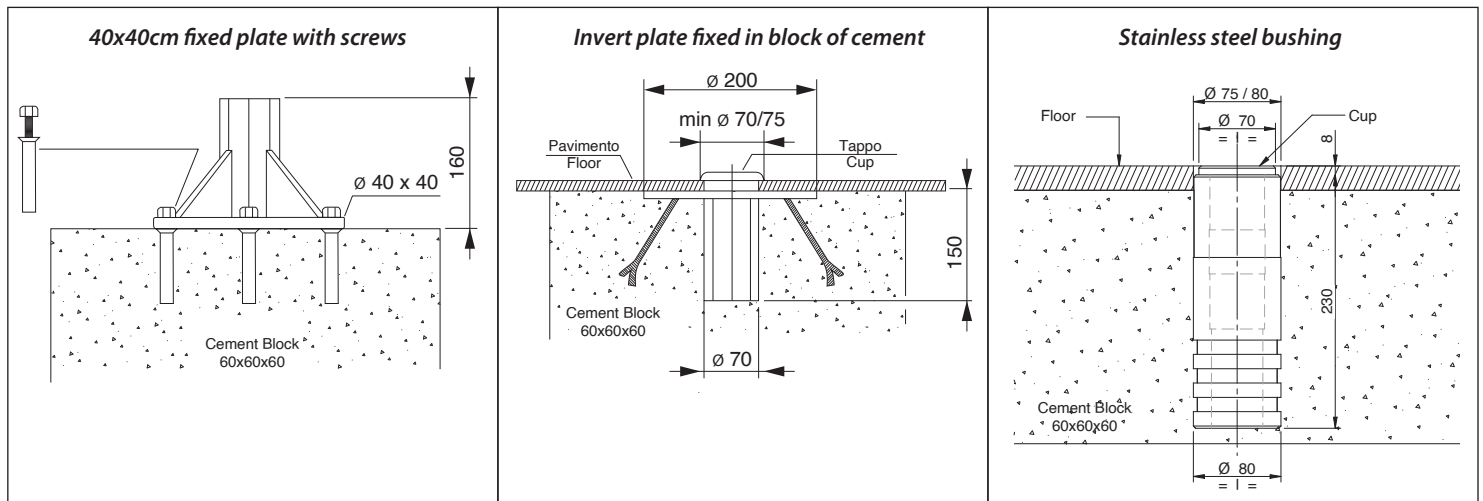
FEATURES/TECHNICAL SPECIFICATIONS

- .Lifting Capacity: 140 Kg
- .Max arm travel: 1350 mm
- .Time of lowering with weight: 40s
- .Time of lifting with weight: 40s
- .Weight: 58-63 kg
- .Battery: 12 V
- .Power: 24 V
- .Autonomy: 60 working cycles
- .Electric Box
- .External battery charger
- .Rotation: 360°
- .Standard socket: 400×400 mm
- .Handset

In accordance with the directives:

- Directive 93/42/CEE - Medical Device - DM 1087746/R
- Directive 2006/42/CE - Machine Directive
- Directive 2004/108/EC - EMC Electromagnetic Compatibility

FIXINGS



TECHNICAL SHEET

DIMENSIONS AND WEIGHT

